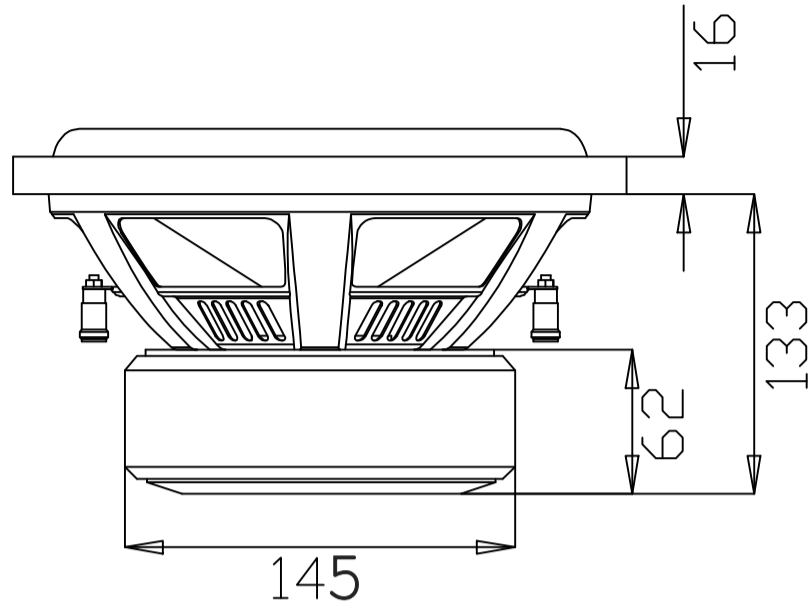
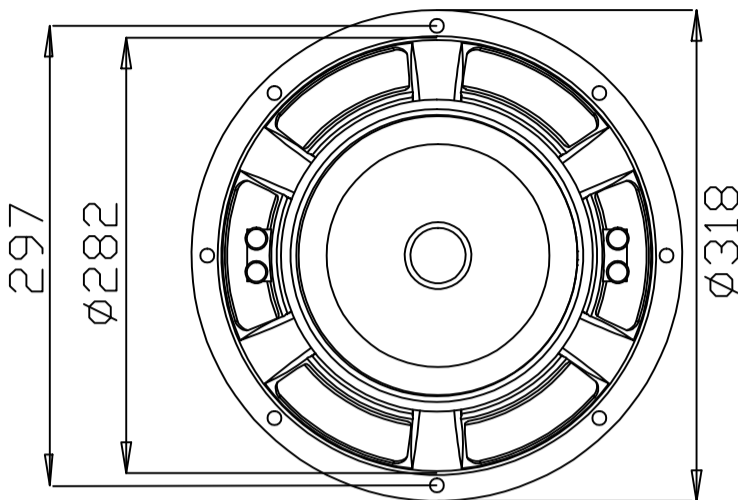




MODEL: CC8

Product id: CC8D114



## ENCLOSURE SUGGESTIONS

SEALED: 20 L / 0.706 cu.ft (net), Qtc 0.38

PORTED: 30 L / 1.059 cu.ft (net), Port area 75 cm<sup>2</sup> length 36 cm  
FB 42 Hz / F-3 dB 33.9 Hz

Power handling*:	750 W
Sensitivity (2.83 V/1 m):	87.3 dB
Nominal impedance:	Dual 1Ω
X-Max:	12 mm
Equivalent Compliance (Vas):	7.4 L
Free Air Resonance (Fs):	36 Hz
Electrical "Q" (Qes):	0.41
Mechanical "Q" (Qms):	5.53
Total Speaker "Q" (Qts):	0.382
DC Resistance (Re):	1.1 Ω

